

## Exam Room Layouts

One of the most important things to evaluate in advance of your electronic health record (EHR) installation is exam room set up. However, if you have decided to utilize a tablet PC or laptop solution, this decision is not as critical. If you have decided to furnish each room with a PC, exam room layout quickly becomes an issue that will be pivotal to your success, especially with regards to your patient interaction.

The **LEVEL** acronym has been quite useful in helping providers understand the basics of patient interaction during the visit:

**L**et the patient look on

**E**ye contact with the patient

**V**alue the computer as a tool

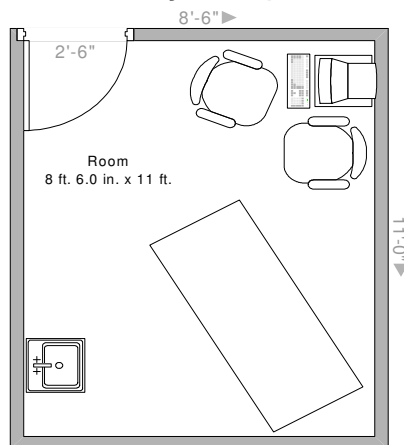
**E**xplain what you are doing

**L**og off and say you are doing so

### Sample Exam Room Layouts

Your exam rooms should be designed to help facilitate and maximize physician-patient-computer interaction. A simple “triangle” setup can be employed to allow the provider and patient to see the monitor at the same time. Below are some examples of potential exam room layouts, which promote the “triangle” arrangement for increased physician-patient-computer interaction. In each of the examples presented here you will need to make sure power and internet access are available where the computer is placed.

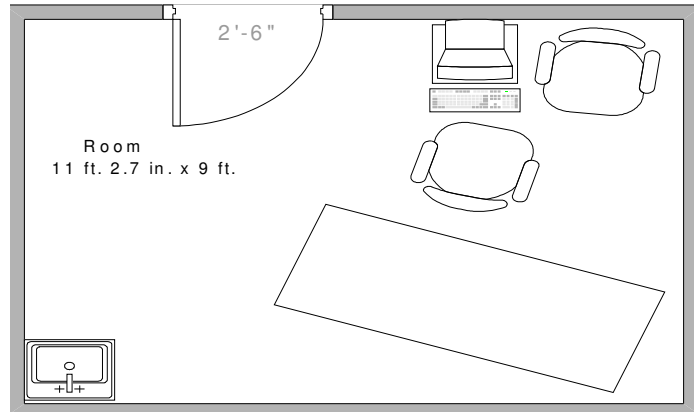
#### Ex. 1: Office with Mounted Monitor and Keyboard (Corner Placement)



In this example, both the monitor and keyboard are mounted on the wall, obviating the need for a desk (see Fig. 1). The exam table is approachable from both sides and the sink is in the bottom left

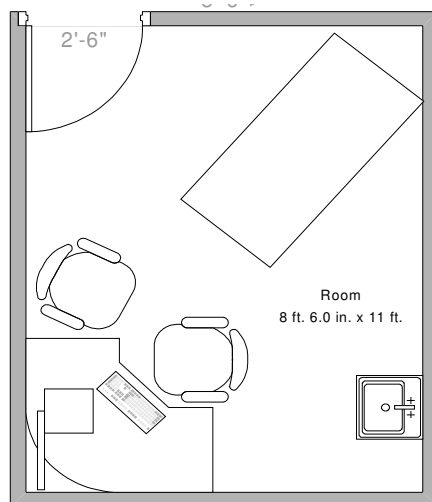
corner. A benefit to this design is increased space due to the absence of a desk. A disadvantage to this layout is that the monitor is relatively far from the exam table, necessitating a long walk to the computer should the provider need to input new information.

### Ex. 2: Office with Mounted Keyboard and Monitor (Center Placement)



This example demonstrates a different arrangement of the monitor and computer. In this instance there is still no desk but the wall mount (see Fig. 1) has a more central location. The exam table is still accessible from both sides; however, there is less distance to the computer. In this scenario, depending on the length of the swivel arm, it may even be possible to show the patient images on the monitor while performing a physical exam. Also, depending on the size of the office, a desk could be included.

### Ex. 3: Office with Desk and Wall-Mounted Swivel Monitor



In this example office, a semi-circle desk is used for the keyboard. Here the computer would be hidden underneath the desk and a swivel arm monitor is attached to the wall (see Fig. 2). One aspect to consider with this setup is when you turn to input information, you have your back to the patient. A disadvantage to this setup is that while entering information during an exam, the provider's back is to the patient when the patient is on the exam table.

## Swivel Mounts

The below images are some typical examples of what a wall mount may look like. These are only two of the many options available for you both in swivel arm style and LCD monitor style.

**Fig. 1: Example of wall mounted swivel LCD monitor and keyboard**



Source:

<http://www.ergotron.com/ProfessionalProducts/WallMounts/tabid/157/ctl/Product/mid/543/PRDID/67/Default.aspx>

**Fig. 2: Example of wall mounted swivel LCD monitor**



Source: [http://www.m-media.com/hardware/Chief\\_mounts/images/LCD\\_wall.jpg](http://www.m-media.com/hardware/Chief_mounts/images/LCD_wall.jpg)

This material was prepared by Lumetra, the Medicare Quality Improvement Organization for California, under contract with the Centers for Medicare & Medicaid Services (CMS), an agency of the U.S. Department of Health and Human Services. The contents presented do not necessarily reflect CMS policy. 8SOW-CA-1D1-06-31.